

File Name: bt meridian user manual.pdf

Size: 3146 KB

Type: PDF, ePub, eBook

Category: Book

Uploaded: 7 May 2019, 12:43 PM

Rating: 4.6/5 from 818 votes.

Status: AVAILABLE

Last checked: 17 Minutes ago!

In order to read or download bt meridian user manual ebook, you need to create a FREE account.

[**Download Now!**](#)

eBook includes PDF, ePub and Kindle version

[Register a free 1 month Trial Account.](#)

[Download as many books as you like \(Personal use\)](#)

[Cancel the membership at any time if not satisfied.](#)

[Join Over 80000 Happy Readers](#)

Book Descriptions:

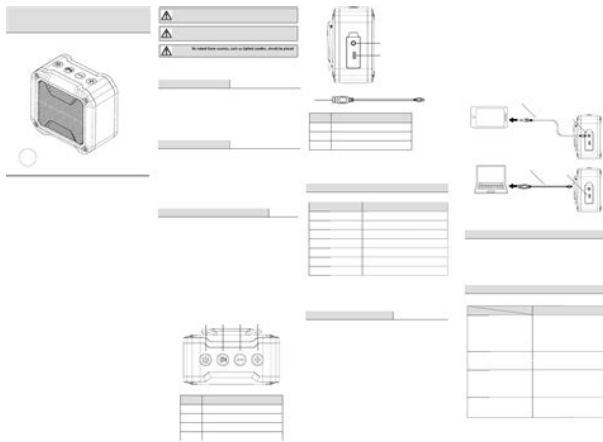
We have made it easy for you to find a PDF Ebooks without any digging. And by having access to our ebooks online or by storing it on your computer, you have convenient answers with bt meridian user manual . To get started finding bt meridian user manual , you are right to find our website which has a comprehensive collection of manuals listed.

Our library is the biggest of these that have literally hundreds of thousands of different products represented.



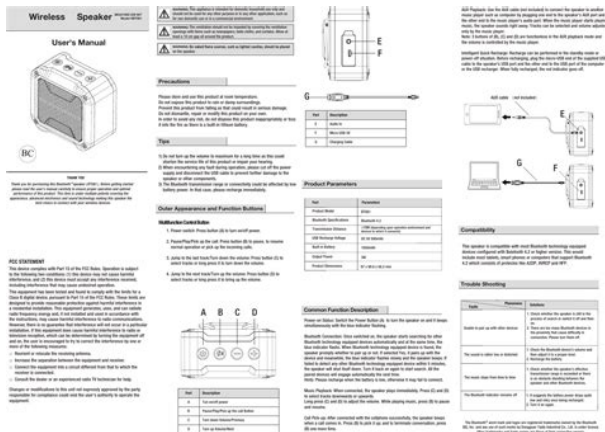
Book Descriptions:

bt meridian user manual

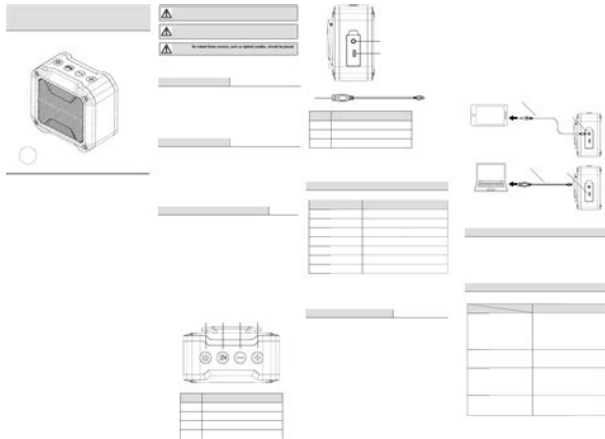


Telephone headsets are a must for businesses large and small, increasing productivity and efficiency whilst making day to day tasks easier for staff. Be it an ear defender or a ruggedised telephone, you will find it here. USB Headsets, Speakerphone and Webcams can be found here. Certified for Teams, compatible with GoToMeeting, Zoom and more [Guide.pdf 19595KB](#) We value our customers and value your feedback so if you have any comments please get in touch with us. You can also find out more about us and some of our services and clients. Thank You. If unsure check the label on the underside of the telephone. [M7208 User Guide 198 KB](#) We do charge for “over the phone” assistance if you don’t have a maintenance or support contract but this will be a lot less than getting an engineer called out to site. Browse our VoIP, onpremises and hybrid solutions. Call us for a quote. Here are some of the jobs we can undertake Cable and wiring altered, unused extension wiring recovered. Complete Telephone Systems installed in your new premises. For any BT Meridian Telephone System faults please call us and we aim to respond as quickly as possible. Because Telephone Systems tend to be so reliable I personally think it’s cheaper to call an engineer when something goes wrong. If your BT Phone System Maintenance contract has expired don’t assume you’re in trouble, I’d love to help! 07790 200800 Both business and domestic installations are catered for. My engineers also have a good understanding of Structured Cable and Patch Panels. However, many companies continue to utilize the M7000 Series phones. Here are the links to those phone manuals and user reference guide pages. Get the very best price on. [Nortel Meridian telephones. Installation Manuals](#) [Nortel Meridian Data Features Description.](#) [Nortel Meridian Description.](#) [Nortel Meridian Digital Clock Controllers Descrip.](#) [Nortel Meridian General Maintenance Info.](#) [Nortel Meridian Hospitality Feature.](#) [Nortel Meridian Max Installation Guide.](#) <http://mekongauto.com.vn/uploads/userfiles/db-studio-manual.xml>

- **bt meridian user manual, bt meridian user manual pdf, bt meridian user manual download, bt meridian user manual free, bt meridian user manual online.**



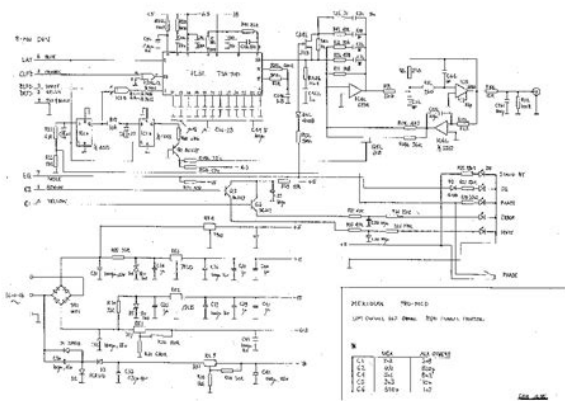
Nortel Meridian Max Supervisor Guide. Nortel Meridian SL1 Engineering Handbook. Nortel Meridian SL1 Engineering Update. Nortel Meridian Switched Services Network. Nortel Meridian System Options 21 71 Overview. Nortel Meridian System Installation 1 of 2 Toronto, Ontario, Canada. They made many large and small business PBX systems On January 14, 2009. Nortel filed for bankruptcy protection in order to restructure its debt and Nortels bankruptcy protection has been extended to June Northern Telecom. Contents. Introducing your Meridian Digital Telephone 1 Working without interruption 35 Options 37. Your Telephone's Control 38. Page 6 Contents Introducing your Meridian Digital Telephone. This guide introduces you to your new Meridian Digital. Page 8 Introducing your Meridian Digital Telephone Page 9 Initiating Calls Introducing your Meridian Digital Telephone. Selecting a position for your Meridian Digital Telephone. Page 10 Answering Calls Introducing your Meridian Digital Telephone. Parts of your Meridian Digital Telephone. Message Waiting Light. The Message Waiting light turns. Page 11 Call Transfer Your telephone's display. Your telephone's display. Idle screen format Page 13 Handsfree Your telephone's display Your telephone's features. Your telephone system administrator assigns features to your programmable Call Transfer. Use the Transfer feature to redirect a call to a third party. To transfer. Page 18 Stored Number Your telephone's features Last Number Redial. Last Number Redial allows you to automatically redial the last number you Making a call. This chapter describes features that you can use. Page 22 Timed Reminder Recall Making a call Ring Again Speed Call Page 23 Call Park Making a call Speed Call System Speed Call Page 24 Making a call Stored Number Page 25 Meridian Display Making a call Hot Line Voice Call. Hot Line. The system administrator can program a Hot Line telephone. <http://www.svb-volleyball.de/userfiles/db-pu850-manual.xml>



Page 26 Call Forward Receiving a call Call Pickup for Meridian 1 Page 27 Call Forward Internal Receiving a call Timed Recall Reminder Auto Answerback. Timed Reminder Recall. Timed Reminder

Recall rings your telephone after. Page 28 Remote Call Forward During a call Call Transfer Timed
 Reminder RecallPage 29 During a call Timed Reminder Recall Call ParkMeridian Display. When you
 are on an active call, you can identify a second. Page 32 Selectable Conferee Display and Disconnect
 While you are away from your desk Call ForwardPage 33 Group Call While you are away from your
 desk Call Forward Internal. Call Forward Internal. Page 34 Privacy Release While you are away from
 your desk Remote Call ForwardPage 35 Call Forward While You are away from your desk Remote
 Call ForwardPage 37 To talk with more than one person Conference. To Talk with more than one
 person. This chapter describes features.Group Call. Group Call automatically calls members of a
 predefined. Page 40 To talk with more than one person Call Join Privacy ReleasePage 41 Working
 without interruption Call Forward. Working without interruption. This chapter describes features
 that allow you to avoid receiving calls. Page 42 Working withouth interruption Make BusyPage 43
 Options. Options. Optional items are available for use with your Meridian Digital Telephone. Please
 contact your System Administrator for. Page 44 Your Telephone's ControlsPage 45 Terms you should
 know. Terms you should know. Attendant the attendant is a telephone operator in your organization.
 Page 46 Flexible Feature Codes FFCsIndexAuto Dial 15. Automatic Answerback 21Call Forward,
 Internal 27. Page 48 IndexFeature, telephone 9. Flexible Feature Codes FFCs 40. G. Page 49
 IndexLast Number Redial 13. LCD indicator 38Make Busy. Page 50 Index. Rls 13Special dial tone
 39. Speed Call 16. Speed Call, System 18. Please click Accept Cookies to continue to use the site.

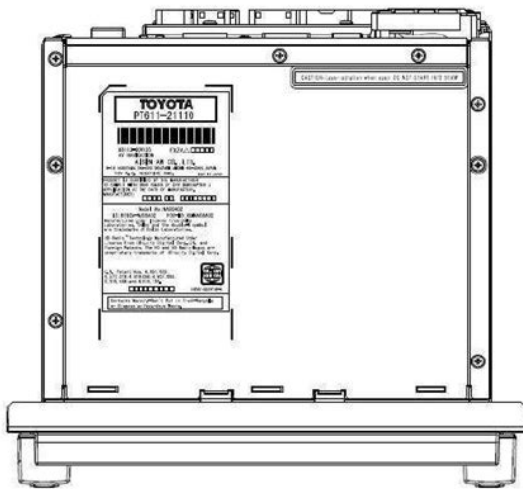
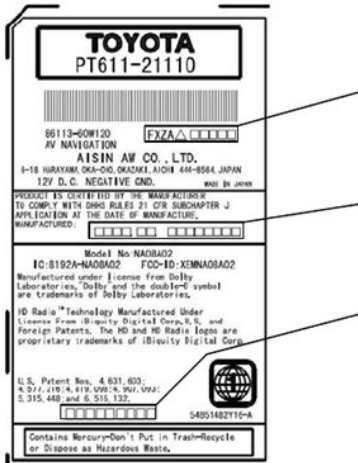
It has 12 keys on the top right which once you press the shift key Triangle Key you can then program
 another function under the same key. Below them you have a two level LCD screen with three
 buttons under it, which become what is displayed on the lower level of the screen. The M7310 phone
 has ten keys under the screen which is where the lines, Features and intercom Handsfree is
 displayed. The Norstar M7310 has a headset port under the telephone allowing you to connect a
 headset directly to it. Target Audience for the Norstar M7310 Phone The Norstar M7310 is ideal for
 most positions, such as secretaries, managers, professionals, and Norstar system administrators
 with or without a BLF. Businesses requiring extensive autodialing and feature access would also
 benefit from using this terminal. Applications for the Norstar M7310 Phone The Nortel Meridian
 Norstar M7310 phone is useful for departments, such as purchasing, sales or accounting, where the
 same suppliers, customers or accounts are frequently called. For secretaries, the Norstar M7310
 with the Busy Lamp Field can provide backup answering services. Norstar system administration is
 made easy using the Nortel Norstar M7310 phone. Nortel Norstar Meridian M7310 Features 10
 Programmable keys with Indicators. 12 Dual Programmable Keys. Time and Date Display. Handsfree
 One touch Dialling. Headset Facility. Full Norstar features. Volume Control. Contrast Level Control.
 Wall Mountable. Supported on all Norstar ICS Systems and BCM. Available in 3 colours Black, Grey
 and Beige. Adgusting display contrast 1. Press Feature X then 7. 2. Press 1 to 9 for the level you
 want Selecting a ring type and volume on your M7310 Phone 1. Press FEATURE X then 6. 2. Press 1,
 2, 3, or 4 to hear the differant types of rings. 3. While the telephone is ringing press volume up or
 down to adjust the volume. 4. Press FEATURE to store the ring Adjusting recevier or telephone
 speaker volume 1.



<http://www.drupalitalia.org/node/71438>

Press volume up or down when using the receiver or the speaker. To Hold a call on your M7310 Phone 1. Press HOLD 2. Press HOLD again to return to the call on hold. Check the display for confirmation or additional information. Making Calls on your M7310 Phone Norstar system can have different types of line buttons. Match the line buttons on your telephone with the ones below for instructions on how to use them. Internal calls using intercom buttons 1. Pickup the receiver. 2. When right arrow appears beside an extension button, then dial. External calls using numbered line buttons 1. Pickup the receiver 2. When right arrow appears beside a numbered line button, then dial OR Press a numbered line button without right arrow, then dial. Programming Memory Buttons on your M7310 External Autodial 1. If you are on a call or an open line with dial tone, press HOLD or RLS. 2. Press FEATURE X then 1. 3. Press the Key you want to program 4. Dial the external number. 5. Press HOLD to store the number 6. Label your new button. Internal Autodial 1. If you are on a call or an open line with dial tone, press HOLD or RLS. 2. Press FEATURE X then 2. 3. Press the Key you want to program 4. Dial the internal number. 5. Label your new button. Features 1. If you are on a call or an open line with dial tone, press HOLD or RLS. 2. Press FEATURE X then 3. 3. Press the Key you want to program 4. Press FEATURE and the feature code. 5. Label your new button. Press CHANGE 11. Enter the minutes 12. Press NEXT 13. If you have entered an hour less than 12, the display reads AM or PM. If not, skip to step 15. 14. Press CHANGE to toggle between AM and PM 15. Press RLS to exit Changing the TIME and DATE on a Modular or Compact Plus software Telephone System 1. Press FEATURE X X 8463 TIME then 23646. 2. Press NEXT or CHANGE depending on what you require. 3. Press Rls once you have finished.

<https://dhomerotravel.com/images/bosch-tumble-dryer-classixx-7-manual.pdf>



Please contact us if there is something you are looking for that is not here, or check out our training videos Its a program that allows you to create and print labels for your Norstar TSeries phones. EnglishEnglishCamera lens. Loudspeaker. Assistance button. Volume control. Headset socket. Charging socket. Phone indicators. External display. Charging stand. LanyardThe supplied accessories provide the best performance with yourContents. Congratulations on your purchase. 1. Get started. 1. Insert SIM card, memory card and the battery. 1. Charge the phone. 2. Get to know your phone. 3. Assistive functions. 3. Turn the phone on and off. 3. Startup wizard. 4. External display. 4. Phone indicators. 4. Navigate the phonePhone settings. 7. Calls. 9. Make a call. 9. Call from the phonebook. 9. Receive a call. 10. Volume control. 10. Call options.11. Speed dialCall log.12. Call settings.12. Phonebook.15. Add contact.15. Manage phonebook contacts. 16. Phonebook settings. 17. Assistance button.20. Make an assistance call.20. Activation. 21. Number list. 21. Activate text messages SMS.22. Position SMS.22. Assistance settings.23Point the way.23. Compass.25. Messages.25. Create and send text message SMS.25. Create and send picture message MMS.26. Create and send voice message.26. Create and send email. 27. Inbox, Outbox and Sent.28. Message settings.29. Camera.33. Video camera.34. Picture gallery and Video gallery.35. Camera settings.35. Connectivity.36. Bluetooth.36. Bluetooth beacon.38. Internet profile.38. Mobile data.39. Network setup.40. Connect the phone to a computer. 41. File manager. 41. Audio setup.42. Tone setup ringtone.43. Ringtone volume.43. Silent.43. Alert type.43. Extra tone.44. Main menu.44. Wallpaper.44. Text sizeThemesMy Doro Manager.45. Create account.45Options.46. Sync. intervals.46. Account details. 47. Additional functions. 47. FM radio. 47. Torch.48. Calculator.49. Games.49. Status.49. Alarm.50. Calendar.50. Daily reminder. 51. Notes. 51. Weather.52.

<https://diatecgroup.com/images/bosch-ubh-2-20-rle-manual.pdf>



Display status symbols.52. Display main symbols.53. Reset settings.54. Troubleshooting.54. Safety instructions.56. Network services and costs.56. Operating environment.56. Medical units. 57. Areas with explosion risk. 57. Liion battery.58. Protect your hearing.58. Emergency calls.58. Vehicles.58. Care and maintenance.59. Warranty.59. Copyright and other notices.59. Content copyright.60. Specifications. 61. Specific Absorption Rate SAR. 61. Declaration of Conformity. 61. RF exposure information SAR.62Congratulations on your purchase. Doro PhoneEasy 632 is an elegant camera phone with easy to use GPSLet it guide you to a specific address, or showAlso features direct memories and SMS button, safety functions and remoteFor more informationGet started. Insert SIM card, memory card and the batteryOptional Insert the memory card into the slot under the SIM cardTake care not toTo remove or replace theInsert the SIM card by gently sliding it into the holder. Make sureTake care not to scratch or bend the contacts onInsert the battery by sliding it into the battery compartment with theReplace the battery cover.Use of incompatible SIMIncompatible cards may damage the card itself, the device and corruptDepending on the market some phones mayCharge the phoneConnecting other accessories mayWhen the battery is running low,Connect the mains adapter to a wall socket and to the chargingIt takes approximately 3 hours to fully charge the battery. WhenWhen charging is completed,If the phone is turned off when the charger is connected to theNote! To save power the LCD backlight goes off after a while. Press anyFull battery capacity will not be reached. Batteries degrade overSave energy. When you have fully charged the battery and disconnected the chargerGet to know your phone. Assistive functions. Use the symbols below to guide you through supporting sections in theSeeing. Handling. Hearing. Safety. Turn the phone on and offConfirm with. Yes to power off.

If the SIM card is valid but protected with a PIN code Personal Identification Number, PIN is displayed. Enter the PIN code and pressDelete with Clear Note! If PIN and PUK codes were not provided with your SIM card, pleaseTip It is recommended to remove the protective plastic film from theWhen no more attempts remain, PIN blocked is displayed. The SIM card must then be unlocked with the PUK code Personal Unblocking Key.Enter a new PIN code and confirm with OK. Reenter new PIN code and confirm with OK. Startup wizard. When starting the phone for the first time, you can use the Startup wizard to set some basic settings. The default language is determined by the SIM card. See Phone settings,Tip You can run the startup wizard later if you want. From standby. Settings. General. Startup wizard.External display. The external display shows the time, a number of status indicators, andThe external display can only display characters in black and white. If the external display times out, press and hold. Lights on the phone will. A stands for AM Ante meridian be visible when time format is set toP stands for PM Post meridian be visible when time format is set toFlash when you have a new message or a missed call. After reading. Flash when the battery is running low and during charging. Navigate the phone. Standby idle mode. When the phone is ready to use, and you have not keyed in any characters, the phone is in standby. PressPress left selection buttonName to access your saved contacts in theTip You can always press. Scroll. Use the arrow buttonsStepbystep instructions. The arrow indicates next action in stepbystep instructions. To

confirm an action, press OK. Example. Phonebook To perform the example on your Doro PhoneEasy 632 you should do the Select New contact and press Add. Enter text. Enter text manually. Select character Upper case, lower case and numerals. See Input mode, p.6.

<https://trucraftsmanship.com/wp-content/plugins/formcraft/file-upload/server/content/files/1626c2f1a3a109---1050c-designjet-service-manual.pdf>

Change writing language In some languages you can use the Smart ABC eZiType input method Press each key once, even if the displayed character is not the one Example Complete the word before looking at the suggestions. Press Select and continue with the next word. Alternatively, press 0 to continue with the next word. If none of the suggested words are correct, use manual input mode. Note! See Predictive text, p.29 for more information. Input mode. The icon on the top left of the display indicates the input mode. AbcAbc UPPER CASE with predictive text Sentence case Numerals. Hearing aid compatible. This telephone is hearing aid compatible. Hearingaid compatibility is not Mobile telephones contain radio transmitters that may interfere with This phone has been tested for use with hearing aids, for some of the wireless technologies that it uses, but there may To ensure that a specific hearing aid works well The standard for hearing aid compatibility contains two types of ratings. M To use your hearing aid in this mode, make sure that your hearing T To use your hearing aid in this mode, make sure that your hearing See also Audio setup Phone settings. Set the time and date Settings. General Tip You can also set the phone to automatically update the time and On. Automatic update of date and time does not change the time you They are in local time. Updating may cause some alarms you have set to expire depending on Set the time and date format. General Set. Language. The default language for the phone menus, messages, etc. General. Press Menu. Press OK to confirm. Block function Settings. Block function. Select each function you want to disable and press Off. Press Done to confirm. PIN code options Settings. Security. SIM lock. You need to enter the PIN code Press OK to confirm. Change PIN code Settings. Enter current PIN code and press OK. Passwords Repeat to confirm. Phone lock. The phone lock protects your phone from unwanted usage. If activated, Security. Select On to enable, or Off to disable.

Note! You need to enter current phone code. Default phone code is 1234. Whitelist. A whitelist works much like a spam filter, once activated, you can only receive incoming calls from contacts saved in the phonebook. People not Security. Calls. Make a call Delete with Clear. Press Press Call from the phonebook Press Call to dial the selected entry. If needed, select the number. Alternatively, press Press Abort or Receive a call Alternatively press Silent to switch off the ringsignal To answer an incoming call by opening the flip, see Answer mode, p.13. Volume control. During a call If you use a hearing aid or have hearing difficulties when using the telephone in a noisy environment, you can adjust the phones audio settings, Silent. Silent is a fixed profile with Keypad tone, Message tone and Ringtone disabled, while Vibration, Tasks, Daily reminder and Alarm are unchanged. Headset.

<http://www.drupalitalia.org/node/71439>