

**File Name:** canadian firearm course manual.pdf  
**Size:** 2853 KB  
**Type:** PDF, ePub, eBook  
**Category:** Book  
**Uploaded:** 7 May 2019, 13:55 PM  
**Rating:** 4.6/5 from 717 votes.

**Status: AVAILABLE**

Last checked: 17 Minutes ago!

**In order to read or download canadian firearm course manual ebook, you need to create a FREE account.**

[\*\*Download Now!\*\*](#)

eBook includes PDF, ePub and Kindle version

- [Register a free 1 month Trial Account.](#)
- [Download as many books as you like \(Personal use\)](#)
- [Cancel the membership at any time if not satisfied.](#)
- [Join Over 80000 Happy Readers](#)

### Book Descriptions:

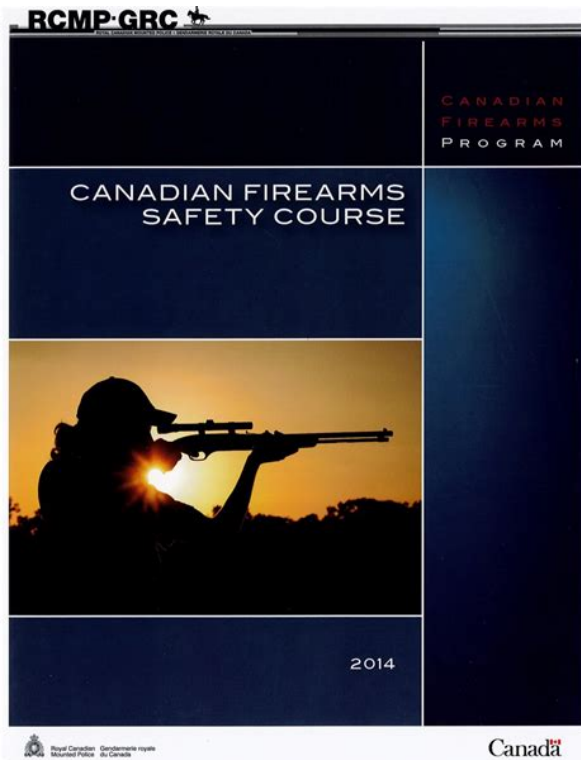
We have made it easy for you to find a PDF Ebooks without any digging. And by having access to our ebooks online or by storing it on your computer, you have convenient answers with canadian firearm course manual . To get started finding canadian firearm course manual , you are right to find our website which has a comprehensive collection of manuals listed.

Our library is the biggest of these that have literally hundreds of thousands of different products represented.



## Book Descriptions:

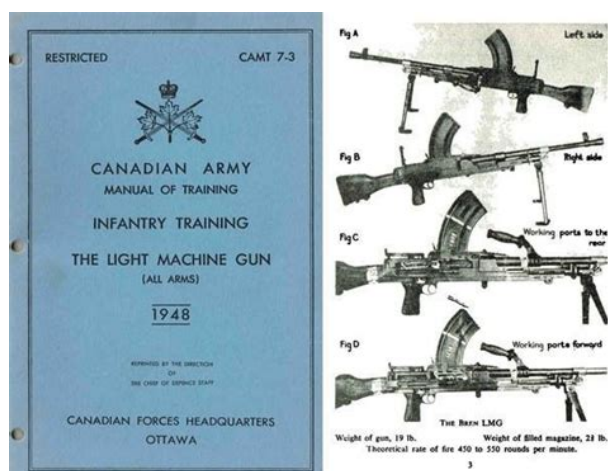
# canadian firearm course manual



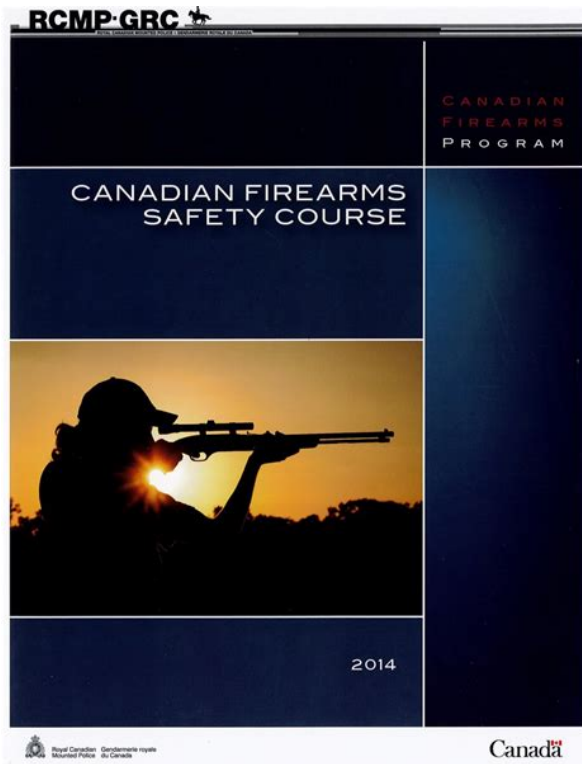
The best preparation possible is to Also, if you are below 18 years of age, don't forget to bring a completed parental consent form. Please print a copy for each day of the course and fill it out before entering the class. If you do not provide a signed copy, you cannot attend the course and a full refund will be issued. The course manual is also a terrific resource after taking the course to reinforce the material. The manual can be downloaded for free, or hard copies can be purchased. The CFSC and CRFSC courses provide students with the minimum legal requirements for safe storage, display, and transportation of firearms. Methods of going above and beyond the legal minimum requirements are also demonstrated and encouraged. The following RCMP published.PDF document is a brochure outlining the safe storage, display and transportation of firearms Learning the wording of the acronym before attending the course is a great way to get a head start on the course. However, learning the words of the acronym before class will put you at an advantage However, it is preferable for you to learn the physical PROVE procedures in class with the actual firearms in your hands rather than by reading or watching the videos below. These videos are only here to provide a little insight before your course. However, the following Silvercore short videos are here because they do an excellent job of introducing the physical process of PROVE ing that a NonRestricted firearm is unloaded The form can be downloaded here If you are applying for a PAL for restricted firearms also known as an RPAL, you must have passed two safety courses the CFSC and the Canadian Restricted Firearms Safety Course CRFSC. For further information regarding Safety Training Certification or the application process contact the Canadian Firearms Program at 1 800 7314000.[http://fotoiaav.com/userfiles/dish-network-remote-control-5\\_3-ir-manual.xml](http://fotoiaav.com/userfiles/dish-network-remote-control-5_3-ir-manual.xml)

- **canadian firearm course manual, canadian firearms safety course manual 2018 pdf, canada firearms course manual, canadian firearm safety course manual, canadian firearm safety course manual pdf format, canadian firearms safety course manual 2019, canadian firearms safety course manual 2019 pdf, canadian firearms safety**

**course manual 2020, canadian firearms safety course manual 2018, canadian firearms safety course manual pdf, canadian firearm course manual, canadian firearm safety course manual.**



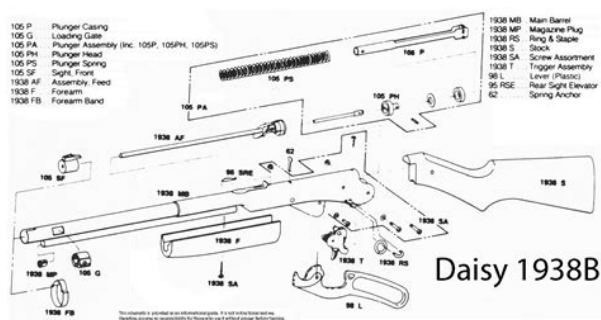
The firearms course manual is not typically a requirement for the PAL course many students like to get an idea of the content covered in the Canadian gun acquisition course. If you have been thinking about taking the courses, click the link and get an idea of what will be covered in the firearms course from the manual created by the RCMP. Canadian Firearms Safety PAL Course Student Handbook Free CFSC CRFSC book. Free Resources Canadian Firearms Safety Course Free resources and study materials to help you prepare for your Canadian Firearms Safety Course. No need to print the manual or bring the manual to your course with BC Firearm Academy. Online CORE Hunter Education Course This course is designed to prepare you for the CORE Hunter Education Course examination and as a companion guide to the inperson course. Register for the exam challenge or the online course BC Firearms Academy. A free online study guide to help you stay safe in the bear country of BC A free online study guide to help you stay safe in the bear country of BC. This online guide will help you work, hunt, hike, and camp safely in the backcountry of BC. Free CORE Hunter Education resources and study guide. Free resources and study materials to help you prepare for your Canadian Firearms Safety Course. Canadian CORE Course Challenge and Hunting Licence Exam Challenge. Firearms Safety Courses CORE Course Challenge and Hunting Licence Exam Challenge. CORE Course Challenges and Hunting Licence Exam Challenge can be completed by individuals who have completed home or online study. BC Firearms Academy Strongly recommends completing our Online CORE course and reviewing our Free Online Firearms Safety Study Guide. FREE FUN Firearms and Hunting Quizzes Courses Offered By BC Firearms Academy BC Firearms Academy offers a wide variety of training options to meet your needs. This is the course required for your Canadian Firearms Possession and Acquisition Licence PAL. <http://coumert.com/images/dish-network-receivers-manuals.xml>



Canadian Firearms Safety Courses Canadian Firearms Safety Course NonRestricted Only CFSC Canadian Firearms Safety Course. This Canadian Firearms Safety Course runs over 1 day from 930 am to 5 pm. Testing is completed on the day of instruction. The Nonrestricted Canadian Firearms Safety Courses is completed on the first day. Accelerate what you're out to accomplish. Address what matters most to your shooting goals. Wilderness Authorization to Carry Proof of Proficiency WATC Wilderness Authorization to Carry Proof of Proficiency Using a Firearm for Wilderness Protection WATC CFSC OR CRFSC Retest For individuals who have completed a BC Firearm Academy Canadian Firearms Safety Course Only. The RCMP firearms program no longer allows individuals to challenge the firearms safety course. For individuals who have completed a BC Firearm Academy Canadian Firearms Safety Course Only. Request a Course We Can Customize Courses To Your Needs WHAT COURSES CAN WE HELP YOU WITH. Weekends Weekdays Evenings Other Please specify when you would like your training to occur in the comments below. To confirm your email address and complete registration, please follow the link in the email. It is supposed to give you a hint on what type of questions you will face at your actual exam. Be ready to identify action types of guns, identify type of the ammunition, always remember ACTS and PROVE routine and other safety measures. More exam tips can be found here. And we will keep our fingers crossed for you. Good luck! Registration If you wish to pick them up ahead You must complete the NonRestricted Firearms Safety Course before taking the Most go for one of these two packages If so, you are required to take an extended 6hour course to review some material The Restricted course is normally 4 hours. Please also order the 6Hour Restricted Firearms Safety Course option. After ordering, contact the instructor to set up a time.

You only need to order this when you are only taking the Restricted Firearms Safety Course and you have lost your previous manual, Manuals are distributed during the course and will not be delivered to your home. Please print it off and bring it to the class as proof. If you are booking for someone else or are signing up more than one person, please email that. Download the relevant application forms Application Form for New Licence for Individuals Over the Age of 18 Application Form for Renewing Licence for Individuals Over the Age of 18 Application Form to Apply for Authorization to Transport ATT Visit the Website BC Wildlife Federation The BC Wildlife Federation website provides news and information on conserving and protecting the environment. Learn more about CORE Conservation Outdoor Recreation Education, find an examiner, or purchase the CORE manual. Visit

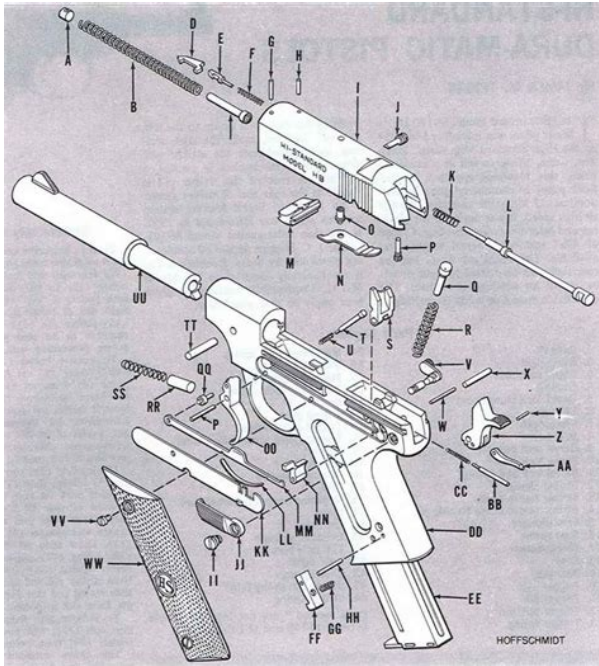
the Website Reliable Gun Vancouver A Canadian firearms dealer offering firearms, rifles, and Hornady reloading equipment and accessories. All Rights Reserved. Firearms are a lot of fun, but only when you, and those around you, are safe and responsible. As with any activity that carries with it an inherent risk if not properly adhered to, passing your test should not be the final destination of your journey, but rather the first milestone that you should look to surpass with the highest level of confidence and ability. To that end, comes tip number one, which is Prepare prior to attending your inperson training The absolute best and easiest way to fully prepare for your inperson training is by taking the Silvercore Online Firearms Safety Course. This course was created to take the student from start to finish covering every concept required to pass the CFSC and CRFSC. Every section is broken down into easy to digest subsections comprised of videos, presentations and review tests.



<https://www.informaquiz.it/petrgenis1604790/status/flotaganis24032022-2105>

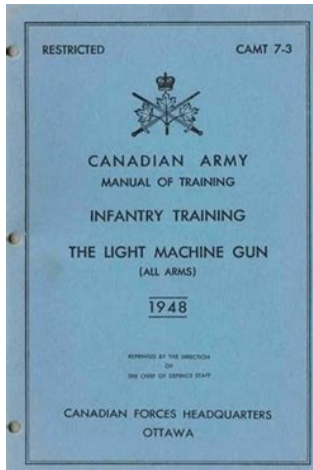
You can take the online course at your leisure, on any webenabled platform, and you not locked into a rigid learning structure but rather you can navigate through in any order you wish with the ability to retake sections as often as you would like. The system will track your progress and issue you with a verifiable graduation certificate. We have seen the massive success in our students who have taken the online course and we have also seen the online course used by businesses and individuals who are not interested in obtaining their licence but require the knowledge and proficiency testing it provides. In order to obtain your licence, you will still need to attend your inperson course, but now your attention can be put 100% towards handling the different training firearms with the instructor's guidance. We have also created a free playlist on our YouTube channel which will quickly show you how to prove all of the action types that you will be tested on, watch here. Finally, physical copies of the course manuals are available for purchase, or online for free at Know your ACTS and PROVE Canada borrowed heavily from existing safety programs when developing its training standards and US Marine Colonel Jeff Cooper's 4 universal safety principles were adapted into what Canada refers to as ACTS and PROVE. Even if someone you trust has assured you that the firearm isn't loaded, if ends up in your hands, it's your responsibility to check. The firearm should always be pointed in a direction that should it discharge, there would be no injury as well as minimal to no property damage. After ACTS, we believe the RCMP Firearms Program really liked the idea of another acronym when they came up with PROVE. While we are all for creating redundancy in safety training, the first 4 letters are already covered with the final letter, E, being the only unique step. That said, it is an important part of the safety course and something you should be comfortable demonstrating.

<https://academyocgc.com/images/brother-intellifax-4100e-manual-download.pdf>



This is preferably done with a cleaning rod or some other bore observing device. Come to class with a desire to learn We know this sounds silly, but every once in a while we find there are students who have paid to attend the course, but seem more interested in their Instagram posts or talking about noncourse related topics rather than actually learning. Some students have prior knowledge and experience with firearms and view the training as simply a formality, or nuisance to endure. Often times it is these same students who have the most difficulties when it comes to passing the course. Some of the content found in the CFSC and CRFSC is unique to those courses, and even having a fair bit of knowledge in the subject matter would not prepare you for coursespecific test questions. Having grown up using firearm from a very young age, and working in the firearms community for over 25 years even longer if you count child labour at gun shows, I still learning new things on a regular basis. Remember, your instructor knows exactly what is needed for you to be successful in your training, so take advantage of that knowledge. Don't point the firearm at others and keep your finger off the trigger Controlling the muzzle direction really is the cardinal rule with firearms. As Jeff Cooper would say, do not point the firearm at anything you are not willing to destroy. Even if you violate all of the other safety principles, but at least adhere to this one, the firearm could discharge but at least nobody was hurt. If you were to point a firearm at yourself or another during your test, it is an automatic fail. As for your trigger finger, it isn't enough to simply keep it off of the trigger, you will need to keep it clearly outside of the trigger guard so that the instructor can see daylight through the trigger guard.

<https://www.formuladesign.com/images/brother-intellifax-4100e-instructions-manual.pdf>



Yes, aside from actively firing the gun when you have made that conscious decision, there can be times when a finger would need to be put on a trigger of a firearm that has been proven to be unloaded such as removing a bolt, or disassembling some firearms, but for the test, keep the finger away from the trigger. Handle all of the firearms your instructor has brought Every once in a while, we find a student who just figures they already know how all firearms work. We are constantly learning new things about firearms, and that only happens through our willingness to learn. Perhaps you have used that same make and model of firearm in the past and figure the one you are being tested on will work in the same way only to learn that it doesn't. Or perhaps the process of disabling the firearm for training purposes, or having the classroom firearms be handled by numerous other students, has introduced some peculiarities you wouldn't otherwise find. Take your time and make sure you are comfortable handling every action. If you aren't, ask the instructor to assist you. Ask questions if you are unclear Don't be shy to ask questions. You are there to learn and asking questions is how we learn. Chances are, if you are thinking about it, likely others in the class are also wondering, but they may be too shy to ask. You can ask your questions in front of the group, or take the instructor aside if it's something you wish to ask in private. Trust me, if your instructor is worth their salt they will definitely welcome the questions. If you don't understand a question on the written test, make a mark beside it and move on to your next question. At the end of the test, if you still don't know what is being asked you can ask your instructor for clarification. Remember, your instructor can assist with comprehension issues but they can not lead you to an answer or provide examples of what the incorrect answer is.

The time for teaching is during a course and not during a test and your instructor risks invalidating their ability to teach should they not adhere to these rules. For the practical test, take your time and adhere to the ACTS and PROVE. Some students find that verbalizing their actions through the practical test assists them in not missing points and helps the instructor by giving some insight into what the students thought process is. If you adhered to the principles relayed above, you will be more than prepared when it comes to testing and you will have the confidence required to successfully pass your course. For a visual explaining of this blog post head to our YouTube page. Make sure to like and subscribe. It also guarantees a free retest. This is optional and not a requirement prior to your course Related KEEP UP TO DATE WITH SILVERCORE. Signup to receive our monthly newsletter, and receive promotions, coupons, and advance notice of our upcoming training sessions in your area. Our Covid19 Response We want to thank everyone for their patience and understanding during these trying times. Due to the COVID19 pandemic our inperson courses have been postponed until we receive notice that it is safe to once again gather as a group. These classes will be offered at an increased frequency to ensure that students are taught in a timely manner as we have had a huge demand for them. This course is for individuals looking to obtain their Possession and Acquisition Licence,PAL, formerly known as Firearms Acquisition Certificate, FAC. Course Schedule Overview Prerequisites Required Ammunition Faq Overview Whether you're

interested in applying for a Canadian firearms license, or are simply interested in learning more about gun safety, this is the course for you. It's one of Silvercores most popular classes and the first step for those looking to get into target shooting, hunting, a career in law enforcement, the outdoor sector or the movie industry.

<http://www.champcaregivers.com/wp-content/plugins/formcraft/file-upload/server/content/files/16270747c76c42--boss-tuner-tu-2-manual.pdf>

Designed with the absolute beginner in mind, our RCMP approved course curriculum covers nonrestricted long guns firearms in the most efficient manner available. This course is offered over two consecutive days and includes testing. Passing this course is a federal requirement to apply for your nonrestricted Possession and Acquisition License PAL. This course includes Safety rules ACTS and PROVE. Loading and unloading of 5 typical action types. Firearms history. Ammunition types rifle and shotgun. Best practices for using a firearm in the field or at the range. Carrying positions and cleaning principles. Overview of Canadian gun laws and regulations. PAL application package, to be submitted to the CFO by the student after successful completion of the course. Official RCMP CFSC course manual free pdf. Looking for your restricted license as well. Please call into our office during regular business hours to obtain the coupon code for this addon. View Free Demo Silvercore is approved and recognized by Employment and Social Development Canada ESDC Anyone over the age of 16 who takes a course with Silvercore which either enables them to work or improves their skills in a recognized occupation may be eligible to claim their course fees under the education and textbook tax credits. Contact us for your T2022A tax form and check out Canada Revenue for further information. Experience driven Silvercore has been offering the Canadian Firearms Safety Course CFSC and Restricted Firearms Safety Course CRFSC since 1994 and is responsible for training many of the active instructors in British Columbia. Our instructors are members of the International Association of Law Enforcement Firearms Instructors and hold certifications through various police agencies. Minors may only take the CFSC test to apply for a minor's license. 100% course participation is required for testing. RCMP requires that any retests are to be taken within 7 days. Required Note taking materials pen and paper.

1 piece of government issued photo ID. 100% course attendance is required for testing. Ammunition Please note that absolutely no live ammunition is allowed into the CFSC or any other course, unless otherwise specified, therefore it is strictly prohibited to bring such to classes you may be enrolled in. Faq Q What do I need to prepare for the course. Below are some study materials to help you prepare for your class. Keep in mind, these are not required to be printed off or completed prior to your class, but included in case you need it as a resource. No, you will be training with nonfiring, deactivated firearms exclusively. Q Is this course required to apply for a job with CBSA, RCMP, props department, etc. Some organizations may require you to provide proof of passing the Canadian Firearms Safety Course to start your job application process. For more information, please contact the organization you're interested in working for. Silvercore cannot speak on behalf of other organizations' hiring policies. Q Can the Canadian Firearms Safety Course be given in another language. While the course can be given in any language, The RCMP stipulates that the Canadian Firearms Safety Course is only to be tested in Canada's two official languages English and French. Many ESL candidates have had success with the Online Theory that Silvercore offers to prepare for their course in the comfort of their own home. Q What mark do I need to pass the CFSC. To pass the CFSC written examinations you will need to obtain at least 80% on each exam. If you fail to do this, you cannot go on to take the practical exams. To pass the CFSC practical examinations you will need to obtain at least 80% on each exam. Q How long will it take to process my PAL application. There is a 28 day waiting period and after that point, it will start to be processed.

If you are concerned about your PAL application you can use the RCMP's website tool to check the status of your PAL or you can call the RCMP at 18007314000. Q How long is my PAL valid for 5

Years. Upon coming up on expiry, you will want to renew your license using the PAL renewal form or the RCMP's website. We recommend renewing at least 3 months prior to the expiration just in case it takes a little bit longer to complete. If you have a copy of your course reports from previous safety training it is still valid and can be resubmitted for application in order to reapply for your PAL. If you don't have a copy of your course reports and you completed your safety training with Silvercore, we can provide you with a copy of them for a nominal administrative fee for locating them. If for whatever reason you are unable to locate or obtain a copy of your reports, you may be able to contact the Chief Firearms Officer to see if they have it on file. They can be contacted at 18007314000. Q Can I take this course if I'm subject to a Peace Bond. If you have been subject to a peace bond, or protection you may or may not be able to attend the course and should seek legal counsel prior to attending. Q If I am prohibited from possessing firearms, can I still take this course. Courses will not resume in any area in Stage 2. Please keep in mind that since courses have been suspended since March, many of our instructors have long waiting lists and you may experience a delay finding a course in your area. Thank you for your cooperation as we work at getting programming back to normal levels. Participation FSESO instructors deliver the CFSC and CRFSC courses and exams in the province of Ontario. These courses are designed to familiarize students with the safe use, handling and storage of firearms and ammunition. Please check back often to see when we will be resuming Firearms Safety Courses again. All students should purchase and carefully read the manual prior to the courses.

In addition to providing key information to support learning during the course, the manual will serve as a reference guide after completion of the courses. VISA orders may be made by phone at 18773222345 ext. 102, from Monday through Friday, between 800 AM and 300 PM EST. COD orders and collect calls are not accepted. Shipping Orders are shipped by Purolator within five business days of receipt of your order. Please note Pick up by the Public is NOT AVAILABLE at our location. Please note the following fees do not include applicable Federal and Provincial taxes or course manual. Prices are subject to change without notice. The latest edition, from 2014, is hard to find online with a Google search. Seriously. The U.S. National Security Agency couldn't find it. The Chinese couldn't find it. WikiLeaks couldn't find it. Not even the Russians could find it. Only the elite team of information technology engineers at TheGunBlog.ca had the resources and expertise to scour the darkest corners of the World Wide Web and the RCMP's secret archive to uncover this digital treasure. Humour. Today, we are sharing it with you. It's a single document, with the handbook for a firearm Possession and Acquisition Licence for so-called "nonrestricted" guns mainly shotguns and rifles until page 207, followed by the handbook for "restricted" firearms mainly handguns and some rifles, such as AR15s. Click here to access the PDF file on the Government of Canada Publications website. You may also enjoy the links on TheGunBlog.ca's page of online Resources. Built and Maintained by T.S.T Technology Do NOT follow this link or you will be banned from the site. A firearms licence is also required to purchase ammunition. In order to apply for a firearms licence, an individual must first demonstrate knowledge of firearm safety.

Firearms safety training courses in Ontario are overseen by the Firearms Safety Education Service of Ontario to teach students how to safely handle, use, transport and store firearms. The Canadian Firearms Safety Course CFSC was developed in partnership with the provinces and territories, national organizations with an ongoing interest in firearms safety, and many firearms and hunter education course instructors from across Canada. This course was developed to meet the mandatory requirements of section 7 of the Firearms Act. The legislation stipulates that individuals wishing to acquire nonrestricted firearms must take the CFSC and pass the tests. Ontario Business Licence 270689052. Successful completion of the full course in classroom presence and 2 exams combined with the IHF course is required in order to obtain a Quebec Hunters Certificate firearm category. Note that photo ID will be required during the course. Since June 18, 2015, the challenge of the exam is no longer accepted. Contactez nous via notre page contact. Menu Training Calendar

Trainings By certificate CRFSC Bill 9 Range Officer Where to start. Lizie Club de tir de Montreal Weapons and equipment from CRAFM CRFSC TRAINING The Canadian Restricted Firearms Safety Course CRFSC was developed in collaboration with the provinces and territories, as well as with organizations with a marked interest in training shooters and the safe use of restricted firearms. The course was implemented by the Department of Justice in 1994, in order to offer training on the safe handling, use, transport and storing of restricted firearms. Register to a course CRFSC Manual Course Study fr Safety Storing You can start with the CRFSC or by the CFSC, subject to availability. Please note that the instructor or anyone else is not allowed to assist the candidate when starting the written and practical exams. Exams are available only in French or English. Who is the course for. Do you want to become a sports shooter.

Are you an arms collector. Or, are you interested in a career as a security guard or border services officer. You need to take this training. In fact, according to the Firearms Act, any individual who wants to acquire restricted firearms and work in the field of security or customs must take the Canadian Restricted Firearms Safety Course CRFSC and the Canadian Firearms Safety Course CFSC, and pass the exams. It is not possible to take the CCSMAFAR course in the event of a firearm prohibition order. To follow the training, it is necessary to wait until the duration of the ban is lifted. Otherwise, the training taken will not be recognized and you will not be refunded. At the end of the exclusion period, you will be required to complete the training again and pay the required fees. The CCSMAFAR is available to people under 18 years old under certain conditions. The instructor must obtain the consent of the minor's parent or legal guardian before teaching the CRFSC and ensure that the minor has previously passed the CFSC. A minor who is following the CRFSC can pass the written or practical examination, at the instructor's discretion, for educational purposes only, but the process will not be recorded on the RCMP GRC 5484 form. However, when the minor reaches the age of 18, he or she will have to retake the CRFSC and pass the exams. Duration One full day, generally 6 to 8 hours. Objectives of the course Handle firearms and their ammunition safely. Use restricted firearms and their ammunition safely. Comply with the firearms regulations. Store safely restricted firearms and their ammunition. Safely expose restricted firearms. Transport safely restricted firearms. The results of your training will be sent to you by the email related to your registration. No paper will be sent to you by mail.

<http://www.bouwdata.net/evenement/4-channel-usb-20-dvr-manual>