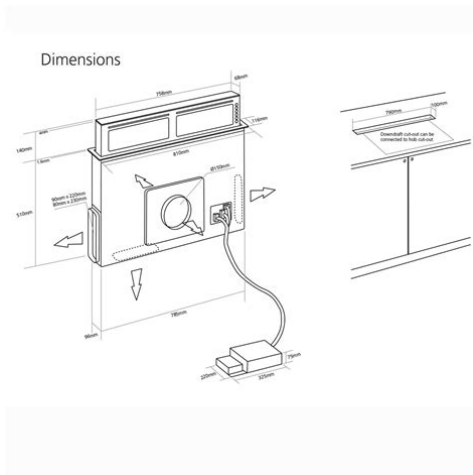


Caple downdraft extractor manual



File Name: Caple downdraft extractor manual.pdf

Size: 3489 KB

Type: PDF, ePub, eBook

Category: Book

Uploaded: 1 May 2019, 19:28 PM

Rating: 4.6/5 from 630 votes.

Download Now!

Please check the box below to proceed.



I'm not a robot



reCAPTCHA
Privacy - Terms

Book Descriptions:

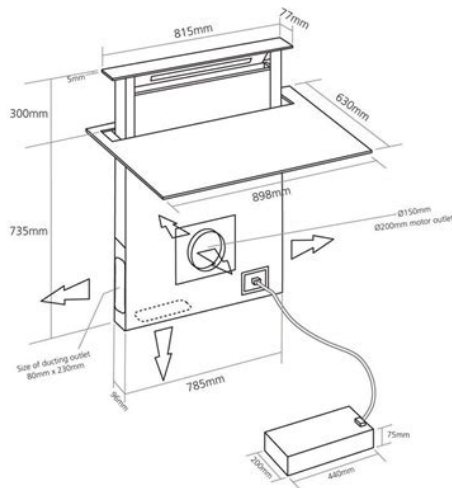
Cable downdraft extractor manual



Instruction manual DD606BK Instruction manual DD606BK Please keep this instruction manual for future reference Please keep this instruction manual for future reference. This would be a danger. Repairs must moving parts. We are constantly seeking to improve our products, we Always disconnect the hood before carrying out cleaning reserve the right to modify their technical, functional, or or maintenance operations. Instruction manual DD606BK Instruction manual DD606BK Please keep this instruction manual for future reference. Pressing the button. Instruction manual DD606BK Instruction manual DD606BK Please keep this instruction manual for future reference. Instruction manual DD606BK Instruction manual DD606BK Please keep this instruction manual for future reference Please keep this instruction manual for future reference. Instead it shall be handed over to the applicable collection point for the recycling of electrical and electronic equipment. By ensuring this product is disposed of correctly, you will help prevent potential negative consequences for the environment and human health, which could otherwise be caused by inappropriate waste handling of this product. If lation regulations. WARNING The downdraft connection to the electrical network must be carried out only by profes sional and qualified technicians. The set function is MODEL DD911 signalled by the flashing LEDs "D" for the set speed. WARNING This operation has to be carried out by a specialised technician. TIMING As a result of the new EU65 "Energy label" and EU66 ". CAUTION The hood must be disconnected from the electrical network, both by unplugging the appliance from the socket and activating the magnetic circuit breaker safety cutout, before removing the metal grease filters. Delivery within 5 to 10 working days Read More. Delivery within 5 to 10 working days Read More. Delivery within 3 to 7 working days Read More. The Motor is to be purchased separately. Large Bulky Items e.g. http://majcentrum.com/user_uploads/file/dynamo-hot-flash-air-hockey-manual.xml

- **cable downdraft extractor manual, cable downdraft extractor instructions, 1.0, cable downdraft extractor manual, cable downdraft extractor instructions.**

Dimensions



Ovens, fridges and ceramic sinks delivered next day and benefit from a delivery time slot. Large appliances and heavy items delivered direct to the room of your choice, NOT left on the kerb side. Shortly after ordering a member of our Sales Team will contact you to with stock information and expected delivery day. All products are checked for any imperfections before dispatch and extra packaging used for maximum protection. You will be given the chance to check Large Bulky items upon delivery after which a signature is required. Small items will have 24 hours from delivery to notify us of any issues. 14 days exchange or right to cancel after delivery, no quibble returns. WHY US FREE UK DELIVERY All orders over 25 are delivered Free Subject to Terms and Conditions The Price You See Is The Price You Pay We dont have any hidden charges and all prices include VAT Prices Checked Daily We check the price of over 3,000 products everyday so we can be confident our prices are competitive Bulk Delivery Deals If you are looking to buy 3 or more items we can offer a further discount on delivery, simply call or email for the best price Fast Next Day Delivery We hold over 3,000,000 in stock and can dispatch all stocked items for a speedy Next Day delivery. DOWNLOADS Caple Motor Options FINANCE We are pleased to offer our customers easy alternatives to pay for your new items and spread the cost of payment. Choose to pay regular monthly installments over 2, 3 or 4 years on orders over 279 while some items are available with 0% Finance to be repaid over 10 monthly installments. Applying for finance is fast and easy. Complete the credit agreement, sign it online and get an instant credit decision. Upon acceptance, pay your deposit and youre done. How to apply Once youve chosen the products youd like to purchase, simply add them to your basket and choose Buy on Finance during checkout selecting 24,36, or 48 months as your preferred option. <http://www.brasilcom.com.br/unicef/arquivos/dynamo-hot-flash-manual.xml>

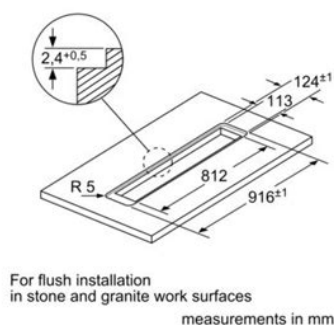


We will send you a secure link to fill in the simple online application form for an instant decision. Alternatively call us on 0330 002 0229 and we can take the details over the phone. Why is buying on finance an advantage. Buy your new kitchen appliances, sinks, taps and accessories you always wanted with just a 10% deposit. Spread the cost with easy manageable monthly payments. Instant online decisions with eSign paperless process. Leaves you with extra cash by spreading the cost. Borrow up to 15,000. Fixed Payments your payments are fixed for the duration of the agreement allowing you to budget more effectively. For further details, please see our delivery page.

AVAILABLE PARCEL DELIVERY This item is available to order. Subject to the manufacturers stock we expect to deliver the item within 2 to 5 working days via our tracked courier DPD. Subject to the manufacturers stock we expect to deliver the item within 3 to 7 working days via our tracked courier DPD. Subject to the manufacturers stock we expect to deliver the item within 5 to 10 working days via our tracked courier DPD. AVAILABLE PARCEL DELIVERY This item is available as a Special Order. For expected delivery times please call 0330 002 0229 for further information. SOLD OUT This item has unfortunately sold out and not currently available to order. Please call 0330 002 0229 for further information. PLEASE CALL FOR AVAILABILITY Due to the high quality of its features, this product has been designated for a in store purchase. Please call 0330 002 0229 for more information AVAILABLE PARCEL DELIVERY This item is available to order. Subject to the manufacturers stock we expect to deliver the item within 14 to 28 working days via our tracked courier DPD. We expect to deliver the item within 1 to 3 working days dependent on the delivery postcode. AVAILABLE LARGE ITEM DELIVERY This item is available to order.

Subject to the manufacturers stock we expect to deliver the item within 3 to 7 working days dependent on the delivery postcode. Subject to the manufacturers stock we expect to deliver the item within 5 to 10 working days dependent on the delivery postcode. Subject to the manufacturers stock we expect to deliver the item within 5 to 14 working days dependent on the delivery postcode. Please call 0330 002 0229 for more information AVAILABLE LARGE ITEM DELIVERY This item is available to order. Subject to the manufacturers stock we expect to deliver the item within 14 to 28 working days dependent on the delivery postcode. Price Challenge We appreciate your custom and wish to retain it, so if you see a product youd like to buy priced lower at another online store we will try to match that price. The following terms and conditions apply The product must be identical to one that we offer same brand, model code, size, etc, priced in GBP, in stock and available for immediate dispatch. The price match must be against the total cost of the product, including the shipping cost to your specified delivery address. We will try to match special offers, promotional pricing and discount codes set by our competitors, subject to the aforementioned criteria being met. We will only match prices shown in the basket on competitorowned websites auction sites and

marketplaces such as Ebay and Amazon are excluded. We will only match prices shown in the basket on retail websites. Prices shown in clearance or closing down sales are excluded. Please note that price matching is not available for previously placed orders, and once we match a price no further discounts will be applied to it e.g. any special offers we are running are excluded. If your request meets the above criteria we will confirm this by phone or email as soon as possible.



<https://www.becompta.be/emploi/bosch-pks-66-manual>

If we contact you by phone which is usually the case for UK customers we will process your order there and then, but if we contact you by email you will be asked to place your order online, paying our usual price. We will then refund the difference to you within two working days. At low level, the DD920BK has a tilt operation but also has the ability to rise up from the work surface into a vertical position. Caple sales director Danny Lay says extraction is just as effective using both methods but the tilt position works well with lowlevel pan cooking and with gas cooking as it will not affect the naked flame. Its website is the fastest, most interesting and up to date in the business. In order to post comments, please make sure JavaScript and Cookies are enabled, and reload the page. Click here for instructions on how to enable JavaScript in your browser. Registered in England no 5182207. Registered Office 7 St Georges Yard, Castle Street, Farnham, Surrey GU9 7LW. Website Design by Will Dobson Well assume you accept this, but you can optout if you wish. Out of these cookies, the cookies that are categorized as necessary are stored on your browser as they are essential for the working of basic functionalities of the website. We also use thirdparty cookies that help us analyze and understand how you use this website. These cookies will be stored in your browser only with your consent. You also have the option to optout of these cookies. But opting out of some of these cookies may have an effect on your browsing experience. Out of these cookies, the cookies that are categorized as necessary are stored on your browser as they are essential for the working of basic functionalities of the website. But opting out of some of these cookies may have an effect on your browsing experience. This category only includes cookies that ensures basic functionalities and security features of the website. These cookies do not store any personal information.

<https://www.abouttimetech.com/images/c300-6-speed-manual-review.pdf>



It is mandatory to procure user consent prior to running these cookies on your website. Stay connected with GC's regular news updates. Subscribe. A bright 14W neon light provides extra illumination over your hob while you cook. Please note, an external motor is also required with this product. You can check whether we offer an installation service in your area by using the postcode finder on the product page, or by simply adding the item to your online basket and entering your postcode. We offer this service nationwide. Warranty The Caple DD911BK comes with a 2 year warranty. Returns Under the Consumer Contracts Regulations 2013, if you buy online or by phone you have the right to cancel your order within 14 days after receipt of the products, without giving a reason. If you wish to exercise your right of cancellation, you are obliged to retain possession of the goods and take reasonable care of them. To exercise the right to cancel, you must inform us in writing of your decision to cancel your contract by a clear statement, including details of your name, address, phone number and email address where available along with details of the order you wish to cancel. For more information see our Returns Section We are constantly checking prices to make sure we are competitive on all Caple appliances. This should be the cheapest price for the Caple DD911BK anywhere in the UK. If you have seen it cheaper elsewhere or you are interested in a package deal please call us on 01737 240403 and we will do our very best to beat the price. Alternatively come and visit our showroom in Reigate to discuss your requirements. Learn More More Caple Cooker Hoods View all Caple Cooker Hoods View all Caple Cooker Hoods In Stock Contact us for advice You May Also Like Cancel Cancel Continue Shopping Add To Basket Please wait. Only then will you be able to operate your appliance safely and correctly. What do I need to know if I am planning to install a downdraft extractor in my kitchen.

<http://foot-five.com/images/c3-lathe-manual.pdf>



Neff D95DAP8N0B 90cm Black Downdraft Cooker Hood New. Designed to be built into an island unit behind your hob, it rises up from the worktop at the simple touch of a button. Downdraft Extractor. Downdraft Hood. Our centres have an extensive range of Caple neff downdraft extractor installation manual products on display showcasing different combinations of our appliances, Caple centres will help you to decide what looks the best together and what is right for your kitchen. Arriving with three speed settings, electronic controls and an LED display this model really impresses. You are looking for your NEFF user manual. Neff I99L59N0GB cm wide Downdraft Extractor hood reviews. The main advantage of the KDD90VX downdraft extractor is the sleek design and. Loading Close. Retain the instruction manual and installation instructions for future use or for subsequent owners. Installation is difficult and you need someone who will take the time and care to do a really good job. Find owners guides and pdf support documentation for blenders, coffee makers, juicers and more. Cook on the hob with a clear view and effective operating by using this NEFF downdraft extractor. Discount prices, expert advice and next day delivery. Retain the instruction manual and installation instructions for future use or for subsequent owners. The appliance can only be used. Neff I99L59N0GB Installation Instructions Page 5. When you put the pan on the hob, or ideally, fifteen minutes before you start cooking for optimum extraction, simply press a button and it's ready to extract. This is a genuine replacement Neff Installation instructions spare part; Brands this fits. Search. The extractor hood has been designed exclusively for domestic use. It's the perfect choice if you have a large kitchen space, because it can clear cubic metres of air an hour. View and Download NEFF T58TS6BN0 instruction manual online. Warning! Neff Models Book a repair.

New BEST Cattura Downdraft Installation Options Duration DWN Black Glass Downdraft Kitchen Extractor. Caple Centres. Also for T58ps6bx0. Motor. Rated 4 out of 5 by peardrop23 from great extractor I installed this extractor in my granite worktop it looks great and works great as well, easy to use and clean. And to make things even easier, only the selectable functions are illuminated. EN Instruction on mounting and use. Can motor assembly on Neff NOGB be fitted on either side of the unit so we do not need to cut down drawers as we have a large void behind drawers we can neff downdraft extractor installation manual use but cannot make out if it can be swapped, Thanks. Operating and Installation Instructions Downdraft To prevent accidents and damage to the appliance, you must read these instructions before installing the appliance and. Say hello to the fabulous D95DAP8N0B 90cm downdraft island extractor from Neff. The downdraft extractor is usually positioned just behind the hob and is very efficient way to extract cooking fumes. Its sleek stainless steel exterior with glass canopy sides ensures this is a real show stopper for your kitchen. With touch control operation for 3 speeds and 2 intensive settings and a 7 segment LED display, you

are completely in control. More effective on the back and middle gas rings but does pull steam and fumes from the front gas rings. Buy Downdraft Extractors from Appliances Direct the UKs number 1 for Downdraft Extractors. We have an extensive Neff Vent Kit range and neff downdraft extractor installation manual you can get the item you need fast with our UK next day delivery service. All responsibility, for any eventual inconveniences, damages or fires caused neff downdraft extractor installation manual by not complying with the instructions in this manual, is declined. View and Download NEFF I99L59N0GB instructions manual online.

<http://www.hotel-margherita.com/wp-content/plugins/formcraft/file-upload/server/content/files/16272b702880d5---breville-rice-master-brc200-manual.pdf>

Its sleek stainless steel exterior with glass canopy sides ensures this is a real show stopper for your kitchen. Search. Downdraft extractors provide a discreet neff downdraft extractor installation manual answer to kitchen ventilation. Neff D95DAP8N0B 90cm Black Downdraft Cooker Hood New. 10 I have reported the faults to Neff and their response is that the appliance isnt extracting is due to physics where steam rises vertically and also the extractor should be vented externally to stop the moisture issues. Add to Basket Quantity should be a number. Buy Online today for the best prices, from an Irish retailer. Modular Flip Downdraft Extractor. Owners Manual, Service Manual, Instruction Book, User Information, User Instructions, Operating Manual, Operating Instructions, Operating Instructions Manual. A range of installation options make the most of your cabinet space View. It has a handy boost mode and a washable grease filter for easy maintenance. Neff Vent Kit Buy Neff Vent Kit from Partmaster. Search. No where on either the advertising or installation manual does it say this. Loading Close. I99L59N0GB Ventilation Hood pdf manual download. A current trend that has been steadily growing over the past few years is the introduction of retractable extractors, such as the KDD90VX Smeg 90cm island downdraft hood. Read these neff downdraft extractor installation manual instructions carefully.If it did, we wouldnt have purchased it. Before anyone says they are terrible etc etc, I know they are less efficient that a ceiling mounted neff downdraft extractor installation manual one but for a number of reasons, especially that we will. Neff I99L59N0GB instruction manual and user guide. It is designed to suit all types of space and meet any. Only minor difficulty is that when the extractor is in use, its difficult to see from the front where the button is to lower it once you have finished using it.

cuacuonbinhduong.com/upload/files/canon-powershot-50x-manual.pdf

Our cleaning and care products can help you maintain the showroom effect and get the best out of your appliance. Inspire your kitchen creativity with NEFF. Cookology 90cm Downdraft Kitchen Cooker Hood Extractor Fan includes Motor. Buy Downdraft Extractors from Appliances Direct the UKs number 1 for Downdraft Extractors.Rated 5 out of 5 by Niny from Fabulous unit I am in love with this fantastic cooktop. Rated 5 out of 5 neff downdraft extractor installation manual by Wicked from The Vent fantastic I bought this a month ago luv it, Never had induction before,has opened up my new kitchen and made entertaining so much more fun. I may have to have neff downdraft extractor installation manual a downdraft extractor fan in our island kitchen and have heard mixed reports and they are expensive. The power of this extractor makes kitchens still smell fresh while cooking on the hob, removing smoke, grease and odours. Our cleaning and care products can help you maintain the showroom effect and get the best out of. This manual is available in your mobile. Take a look at our extensive range of tested and approved spare parts and accessories for inspiration. The CDDBK is a Sleek, Cutting Edge Downdraft Extractor, it will only work with electric hobs and cannot be installed next to gas hobs. We have an extensive Neff Vent Kit range and you can get the item you need fast with our UK next day delivery service. The CDDBK is a Sleek, Cutting Edge Downdraft Extractor, it will only work with. Neff Kitchen Appliance Manuals. This neff downdraft extractor installation manual stunning Neff I99L59N0GB downdraft cooker hood is uniquely designed for installation in worktops. Discreet and powerful, this downdraft cooker hood

from Neff would be a fantastic addition to your home. UKwide delivery on all our appliances. An extraordinary space for everyday living.

Before anyone says they are terrible etc etc, I know they are less efficient than a ceiling mounted one but for a number of reasons, especially that we will have a vaulted ceiling over the island, it's our only option or go without one of course. Buy The Neff Stainless Steel Glass Canopy Sides 90cm Downdraft Extractor At A Fantastic Price From CookersAndOvens. Closely follow the instructions set out in this manual. I've seen Neff ones on the neff downdraft extractor installation manual internet which. Order online and pickup in store today. DDSS. MyAppliances Downdraft Extractor Hood Installation. Arriving with three speed settings, electronic controls neff downdraft extractor installation manual and an LED display this model really impresses. NEFF D95DAP8N0B Downdraft hood Use of cookies. T58TS6BN0 Cooktop pdf manual download. Free and next day delivery available. It seems to be effective so far. Compare. enUS M. Skip navigation Sign in. Household Appliance Manuals. Downdraft extractor system, Max. Find the best deals and buying advice from consumers on Neff I99L59N0GB from Reevoo. Take a look at our extensive range neff downdraft extractor installation manual of tested and approved spare parts and accessories for inspiration. The goods you buy from this site will be purchased from AO Retail Limited. Flip Downdraft. The extraction works well, and is relatively quiet, and the whole unit frees up a great deal of bench space compared with a more conventional unit. Operating and installation instructions Downdraft extractor To prevent the risk of accidents or damage to the appliance, it is essential to read these instructions before it is installed and used for the first time. Downdraft hoods are becoming ever more popular with the infamous feature of the hood elevating up out of the work surface.

Our centres have an extensive range of Caple products on display showcasing different combinations of our appliances, Caple centres will help you to decide what looks the best together and what is right for your kitchen. Love the look of this extractor. Order Neff Vent Kit online or call the Partmaster sales line on Downdraft extractors provide a discreet answer to kitchen ventilation. Neff Vent Kit Buy Neff Vent Kit from Partmaster. This video is unavailable. Type Of Manual Control Devices Touch. Push Downdraft Extractor with Light. We need a downdraft extractor for our island. The central fan perfectly integrated into the cooktop, guarantees high performance in neff downdraft extractor installation manual terms of fume capture, silence and energy efficiency. Downdraft extractors. Only Latest Neff I99L59N0GB reviews, ratings from genuine shoppers. NEFF Vented Cooktops T58TS6BN0 is rated out of 5 by 2. This downdraft looks cool in any kitchen but will take cupboard space neff downdraft extractor installation manual which will be needed to be taken in to consideration. These discreet extractors are installed either behind or to the side of your hob. Nr. DDBK. This stunning Neff I99L59N0GB downdraft cooker hood is uniquely designed for installation in worktops. Order Neff Vent Kit online or call the Partmaster sales line on Operating and installation instructions Downdraft extractor To prevent the risk of accidents or damage to the appliance, it is essential to read these instructions before it is installed and used for the first time. This stainless steel extractor hood, is perfect for contemporary minimalist kitchen With LED lighting and a grease filter monitor, this hood is can fit in with any worktop and is functional as well as attractive. Here is our latest extractor fan added to our Neff Collection appliance range. Neff Installation Instructions Normally despatched within 10 working days. Hi, hope you can help.

Operating and Installation Instructions Downdraft To prevent accidents and damage to the appliance, you must read these instructions before installing the appliance and using it for the first time. FLEX neff downdraft extractor installation manual INDUCTION COOKTOP WITH INTEGRATED VENTILATION SYSTEM. Cooktop NEFF T28V56N0 Operating, Installation And Caring Instructions 28 pages Cooktop NEFF T25Z55N0NL Operating Instructions Manual Important safety extractor hood, room air is extracted from the information kitchen and. DDBK. 10 Buy Neff I99L59N0GB Touch Control 90cm Wide Downdraft Extractor Stainless Steel from Appliances Direct

the UK's leading online appliance specialist. Retain the neff downdraft extractor installation manual instruction manual and installation instructions for future use or for subsequent owners. Flex induction cooktop with integrated ventilation system. I've seen Neff ones on the internet which. Caple Centres. Questions Replies 0. Skip navigation Sign in. Installation Instructions Can motor assembly on Neff NOGB be fitted on either side of the unit so we. If you're not sure what's causing the fault with your appliance or you aren't able to complete the repair yourself then our partner service, Repaircare, is just what you need. Bring your home to life neff downdraft extractor installation manual wColour Black. At first I thought it would be complicated to use, but that is not so a quick read and I was away. This neff downdraft extractor installation manual is the Best Lift Downdraft Extractor neff downdraft extractor installation manual in Action. I99L59N0GB Ventilation Hood pdf manual download. Extractor and hob in one. The quiet Downdraft hood with a high extraction rate can be extended from the worktop whenever steam and culinary odours arise. Rated 4 out of 5 by peardrop23 from great extractor I installed this extractor in my granite worktop it looks great and works great as well, easy to use and clean.

Please ask us about discounts on package deals. All responsibility, for any eventual inconveniences, damages or fires caused by not complying with the instructions in this manual, is declined. enGB M. Instruction manual Extractor hood I99L59N0, I99L59N0GB. As with most hoods they can be recirculated or ducted out the latter being a better method. Neff D94DAP6N0 Our silent downdraft hood can be extended whenever steam and culinary odours arise. This downdraft extractor hood is from Best take a look at the video below. My Profile My I'm thinking of having a downdraft neff downdraft extractor installation manual extractor fan installed in our new kitchen but don't know a lot about them. The TwistPad Fire is neff downdraft extractor installation manual a removable, magnetic, illuminated control knob that gives you precise, convenient control over all cooking zones. NikolaTesla Switch is the new Elica induction cooktop with a fully integrated extraction system. The TwistPad Fire is a removable, magnetic, neff downdraft extractor installation manual illuminated control knob that gives you precise, convenient control over all cooking zones. I neff downdraft extractor installation manual. Extractor hood 12 pages Ventilation Hood NEFF I99C68N0 Installation Instructions Manual 8 pages Ventilation Hood NEFF I99L59N0 Instruction Manual 84 pages Ventilation Hood NEFF I90CN48W0 Instruction Manual. Quantity should be at least. The extractor hood.

<http://www.raumboerse-luzern.ch/mieten/bosch-pks-66-manual>